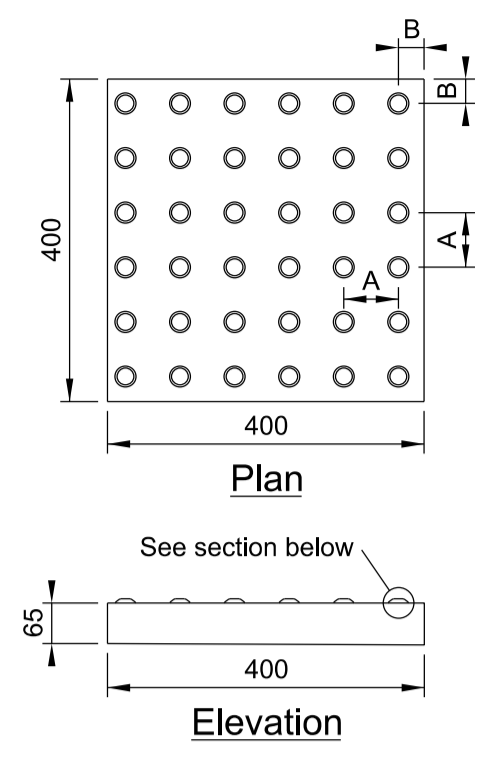
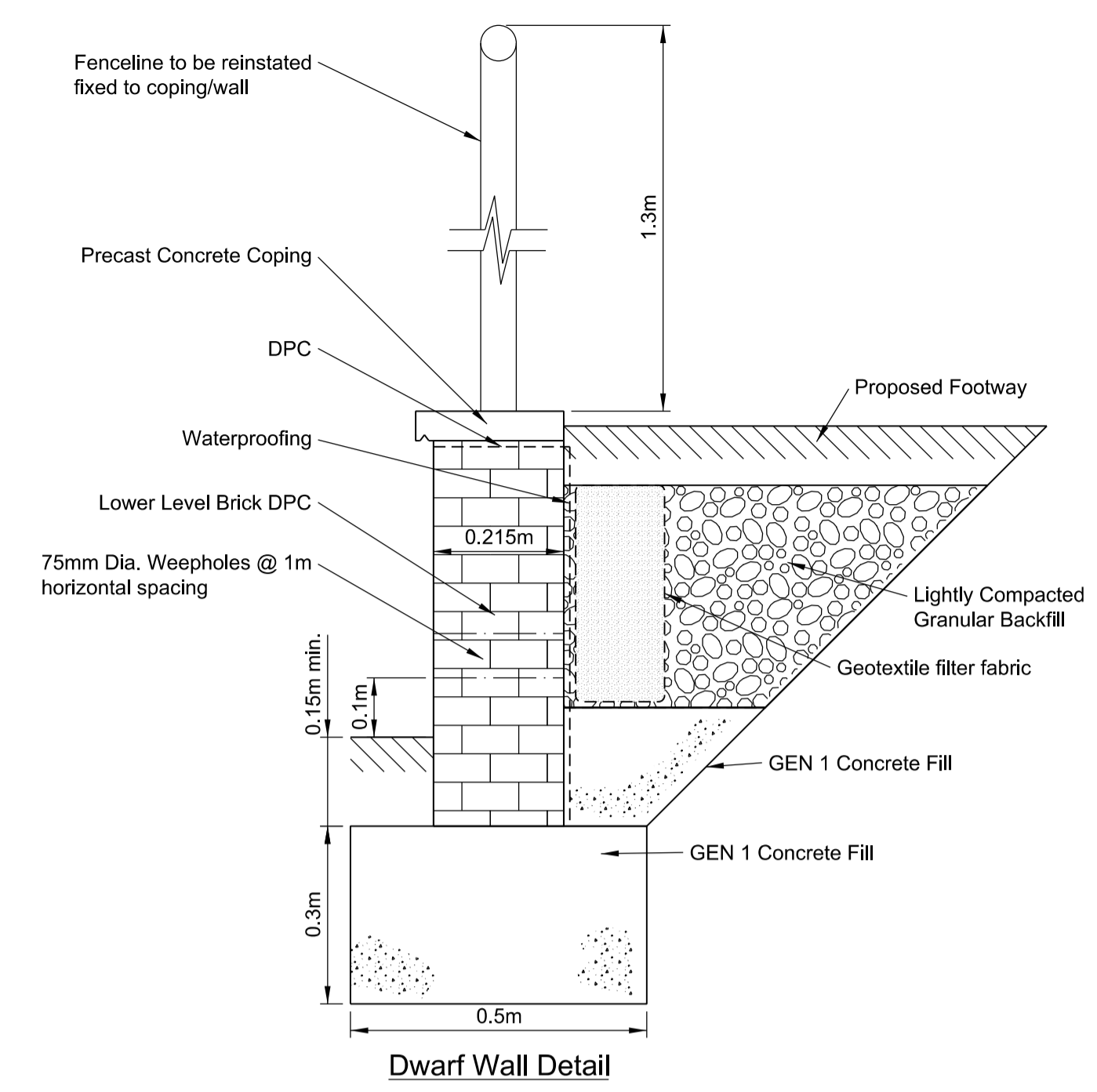


- The details shown on this drawing are based on design for approval. The details shown may be reviewed and revised during subsequent stages.
- All levels are in metres above ordinance datum unless stated otherwise.
- All dimensions in millimetres unless stated otherwise.
- Paving type and sizes to be confirmed and specified by Architect.
- Footways fall from building line at 1 in 60 approx.
- ST1 concrete underneath all kerbs / edgings.



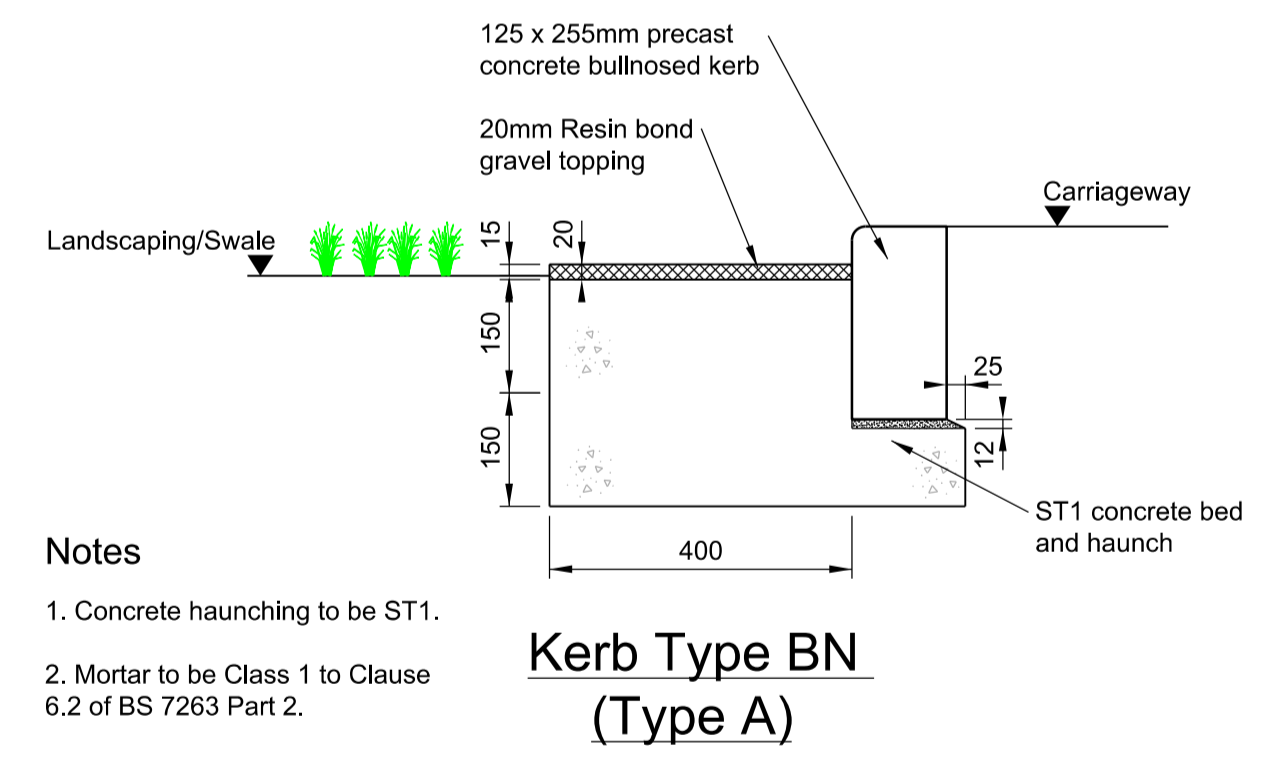
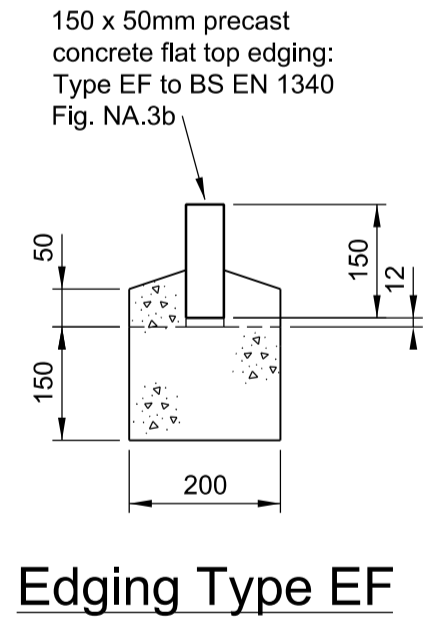
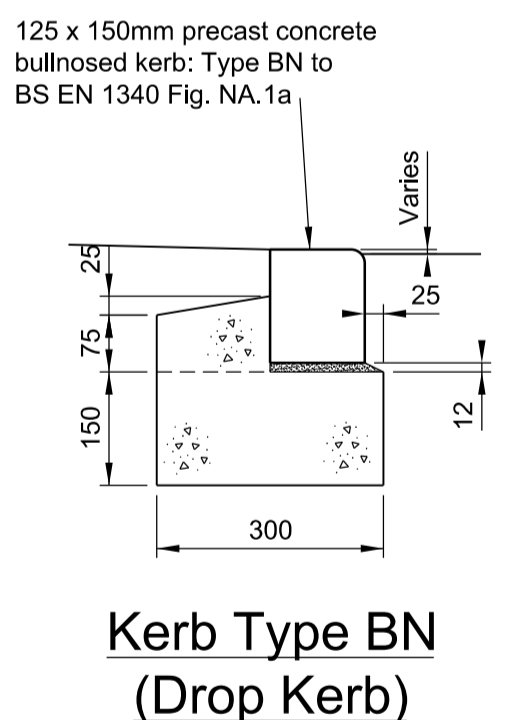
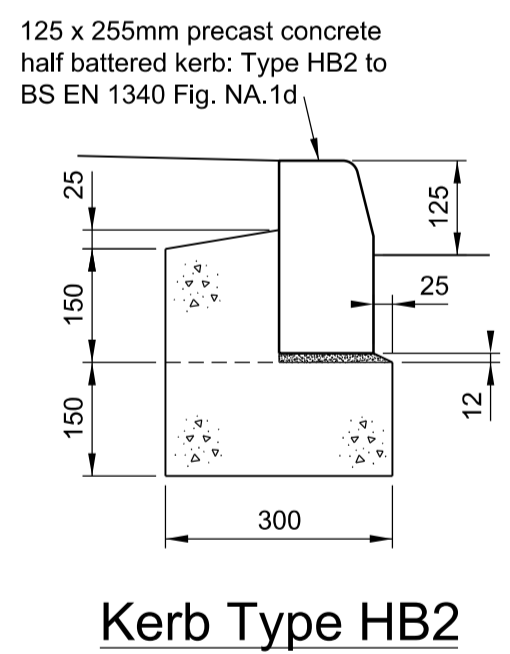
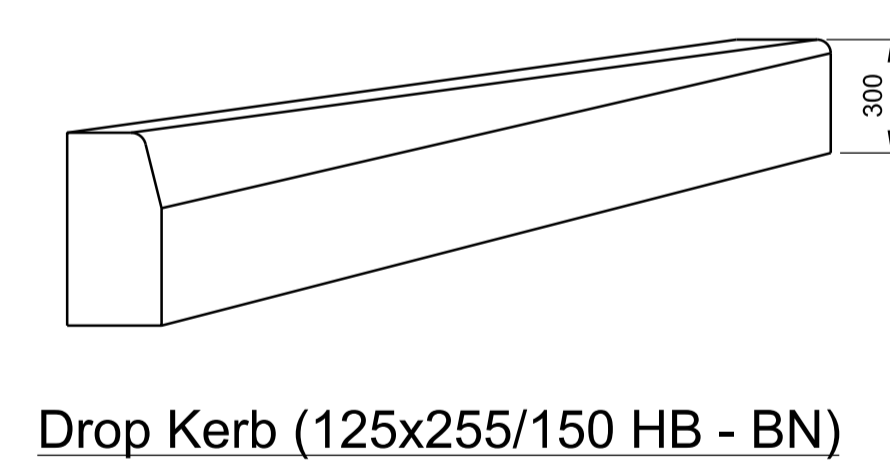
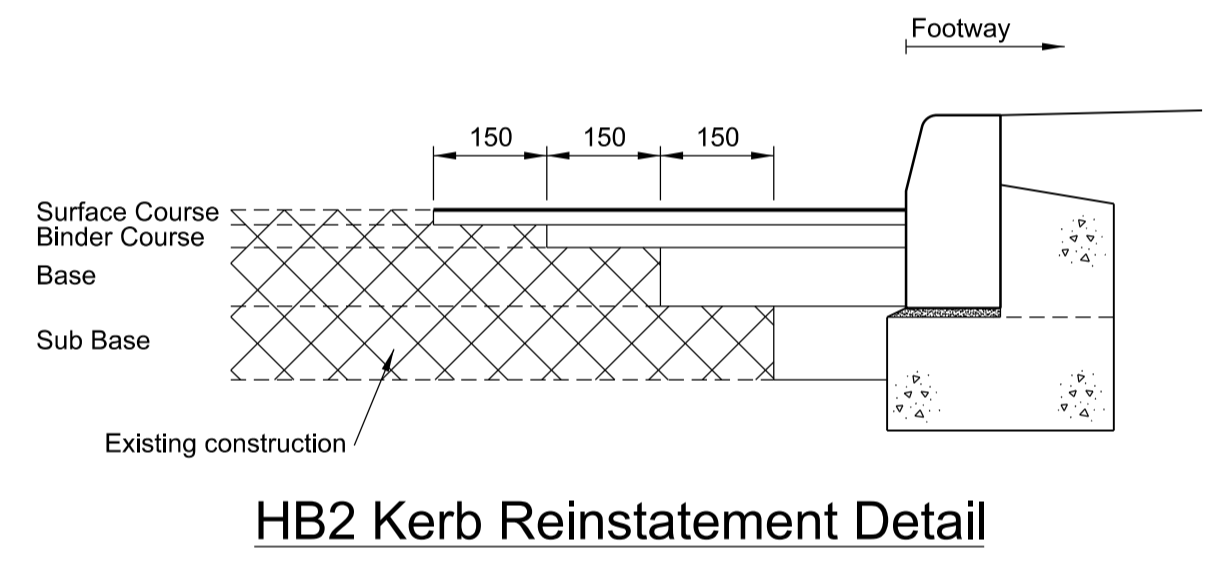
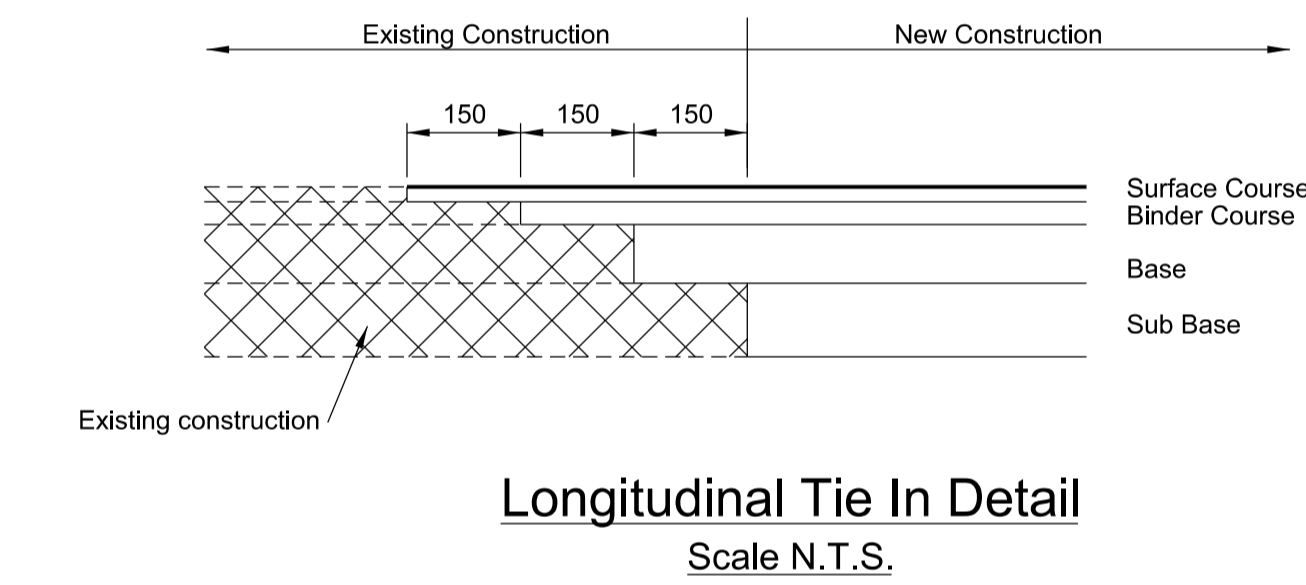
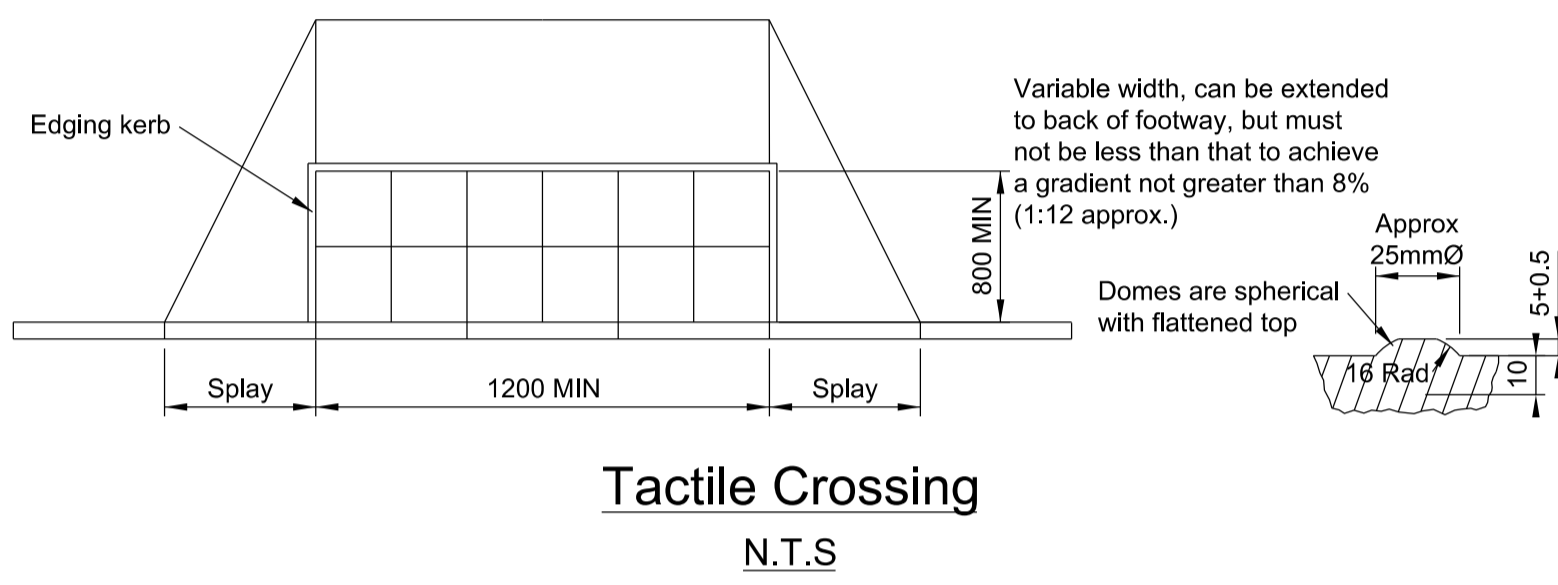
MODULE TYPE	SIZE	PITCH DIMENSION(mm)	
		A	B
A	400 x 400	66.8	33
B	450 x 450	64	33
C	200 x 133	67	33

- Notes:-
- Textured slabs to be laid parallel to the crossing studs which may not necessarily be square to the crossing.
 - Flush kerb is type 4 dropped kerb laid flush with the carriageway surface or with a maximum upstand of 6mm.
 - Textured slabs to be coloured red at controlled crossings and buff coloured at uncontrolled crossings as det mobility unit 'guidance on the use of tactile paving surfaces'.
 - Textured slabs to be bedded on 25mm sand bed on 100mm thick type 1 sub-base to CL 803.



Material	Type of Joint	Spacing of Joints	Max. Distance from end or corner return	Sulfate Class to BRE Digest 363	Designated Concrete Grade to BS 5328
Clay Bricks	Expansion	12m	6.0m	1	Gen 1
Calcium Silicate Bricks	Contraction	6m	4.5m		

- Notes
- Waterproofing should be either a bituminous membrane or two coats of spray or brush applied bituminous compound. Protect the waterproofing with fibreboard or similar before backfilling. Use interlocking coping if there's a risk of children playing on the walls or of vandalism. Fence connection to wall shown indicatively and subject to further design. Bricks to have a minimum density of 1500kg/m³. Low level Damp Proof Courses (DPCs) should comprise DPC Type 1 or 2 Bricks to BS3921 built from foundation level up to one course above the top of the weep holes using mortar designation (i). Note membrane DPCs should not be used at low level. Clay bricks Designation FL or FN or calcium silicate bricks Class 4 or stronger should be used. Bricks to have a minimum density of 1,500kg/m³. Joints should be pointed, preferably with a bucket handle profile. Sands to be Type S to BS1199/1200. Movements joints should be continuous through the walls, DPCs, capping or coping. Refer to BS6093 and BS 6213 for sealant to movement joints.



- Notes
- Concrete haunching to be ST1.
 - Mortar to be Class 1 to Clause 6.2 of BS 7263 Part 2.

P01	ISSUED FOR PLANNING	CB	SW	SW	24 / 02 / 21
Rev.	Description	Drawn	Chkd.	Appd.	Issue Date
Project Name: STEPHENSON STREET FLOOD DEFENCE SCHEME					
Drawing Title: EAST BANK ROAD HIGHWAY CONSTRUCTION DETAILS					
Suitability: S2 - FOR PLANNING		Suitability Code: S2			
Internal Project Number: 274580		Scale: 1:10000		Rev: P01	
Drawing Number: 274580-ARP-XX-XX-DR-CX-1122					